



**DAC**  
**INDUSTRIES, INC.**

*Quality  
Products  
for the  
FENCE  
INDUSTRY*

*Since 1985*

**DAC** INDUSTRIES, INC.

615 ELEVENTH STREET, N.W.  
GRAND RAPIDS, MI 49504-4461

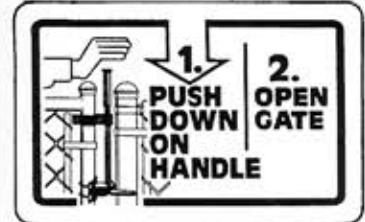
PHONE: 1-616-235-0140  
TOLL FREE: 1-800-888-9768  
FAX: 1-616-235-2901  
WEB: [www.dacindustries.com](http://www.dacindustries.com)

## Auto-Latches



### Hardware Bags\* & Signs Extra Hardware for the Auto-Latch

Description	Part no.	Weight ea.	Price ea.
1 3/8" Gate Frame	1 3/8" Bags	.38 lb.	
1 5/8" Gate Frame	1 5/8" Bags	.40 lb.	
2" Gate Frame	2" Bags	.42 lb.	
*Includes two brackets with nuts and bolts and two carriage bolts with washers and nuts.			
Sign - with Instructional Diagram	Latch Sign		



### Mini-Latch 1 3/8" Gate Frame Ideal For Kennels

Available for 1 3/8", 2" or 2 1/2" Gate Post with a Short Handle.

Description	Part no.	Weight ea.	Price ea.
1 3/8" Short Handle	1499	.9 lb.	

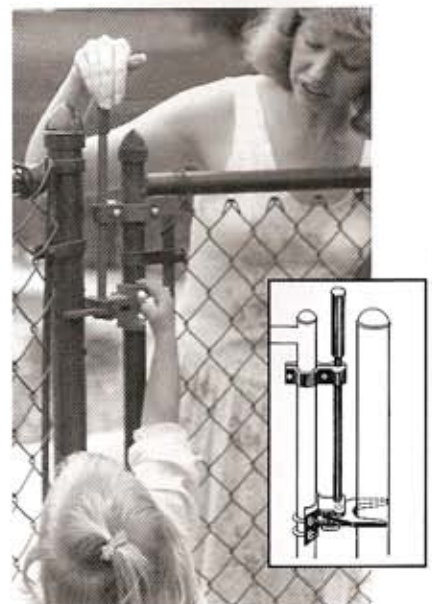


### Residential Auto-Latch\* 1 3/8" Gate Frame Is self-latching Allows gate to swing both ways Can be padlocked from either side

Mix any size latch for price break.  
Latches come in cases of 10 or 25.

Description	Part no.	Weight ea.	Price Break	Price ea.
1 3/8" Gate Post	1500	1.3 lbs.		
2" Gate Post	1502	1.3 lbs.	1-24 25-99	
2 1/2" Gate Post	1525	1.3 lbs.	100+	
3" Gate Post	1527	1.3 lbs.		

\*When installed properly, the auto-latch meets Consumer Product Safety Commission guidelines for swimming pool latches.



## Auto-Latches

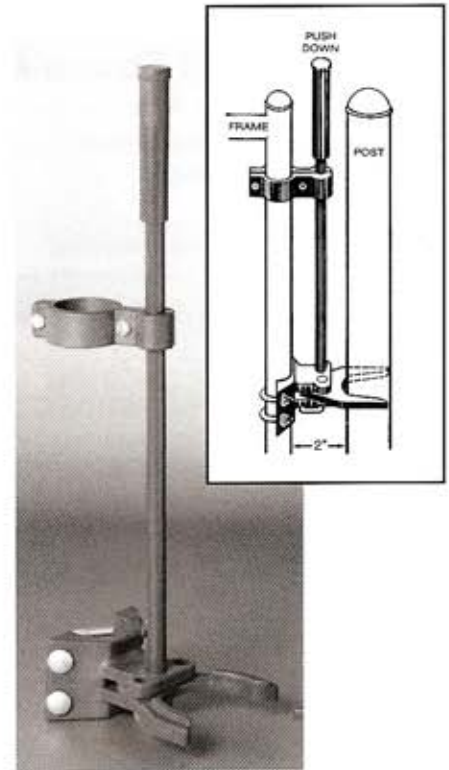
**Commercial Auto-Latch\***  
**Is self-latching**  
**Allows gate to swing both ways**  
**Can be padlocked from either side**

**1 5/8" or 2"  
 Gate Frame**

Mix any size latch for price break.  
 Latches come in cases of 10 or 25.

Description	Part no.	Weight ea.	Price Break	Price ea.
1 5/8" x 2"	1562	1.6 lbs.		
1 5/8" x 2 1/2"	1565	1.6 lbs.		
1 5/8" x 3"	1567	1.7 lbs.	1-24 25-99	
2" x 2"	1572	1.6 lbs.	100+	
2" x 2 1/2"	1575	1.6 lbs.		
2" x 3"	1577	1.7 lbs.		

\*When installed properly, the auto-latch meets Consumer Product Safety Commission guidelines for swimming pool latches.



**Square Auto-Latch**  
**Designed for Ornamental Fences**

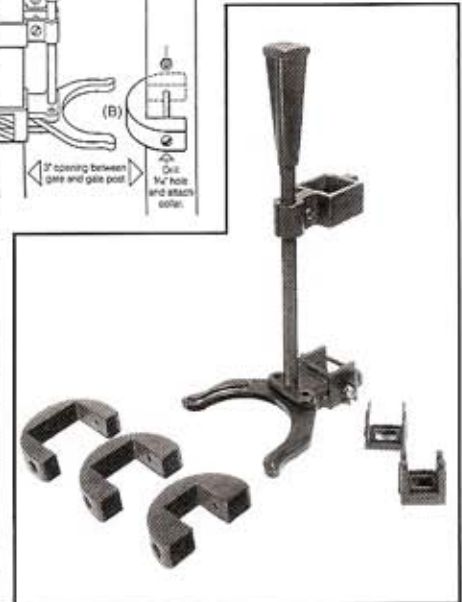
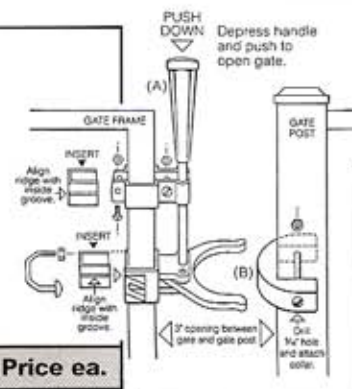
**High Impact Plastic**  
 Come Individually Boxed  
 In Cases of 6

**Easily Installed**  
**Self-Latching**  
**Allows gate to swing both ways**  
**Can be padlocked from either side**

Mix any size latch for price break

Description	Part no.	Weight ea.	Price Break	Price ea.
1" x 1 1/2"	2015	1.9 lbs.		
1" x 2"	2020	1.9 lbs.		
1" x 2 1/2"	2025	1.9 lbs.		
1 1/4" x 1 1/2"	2215	1.9 lbs.	1-5	
1 1/4" x 2"	2220	1.9 lbs.	6-11	
1 1/4" x 2 1/2"	2225	1.9 lbs.	12-23	
1 1/2" x 1 1/2"	2515	1.9 lbs.	24 +	
1 1/2" x 2"	2520	1.9 lbs.		
1 1/2" x 2 1/2"	2525	1.9 lbs.		
Adapter Kit	2999	.9 lb.		

Adapter Kit includes: 1" and 1 1/4" inserts, 1 1/2", 2" and 2 1/2" collars



## Strong Arms

### Residential Strong Arm

1 3/8" Strong Arm Latch

Eliminates Drop Rods

Easily Installed

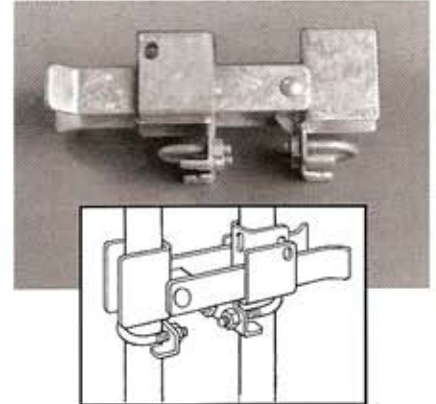
Lockable

For Double Drive Gates

**Galvanized Steel**

Comes in Cases of 12

Description	Part no.	Weight ea.	Price Break	Price ea.
Fits 1 3/8" Frame	4138	3.5 lbs.	1-11	
Adjusts for 2" to 4" gap			12 +	



### Commercial Strong Arm

1 5/8" and 2" Strong Arm Latch

Eliminates Drop Rods

Easily Installed

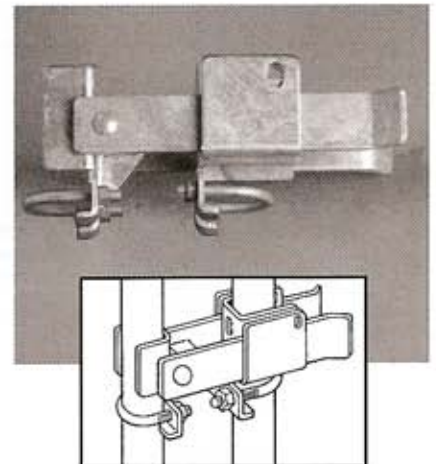
Lockable

For Double Drive Gates

**Galvanized Steel**

Comes in Cases of 6

Description	Part no.	Weight ea.	Price Break	Price ea.
1 5/8" or 2" Frame	4000	9 lbs.	1-5	
Adjusts for 2" to 6" gap			6-11	
			12-47	
2" Square Frame	4090	8.5 lbs.	48-99	
			100 +	



### Walk Gate Strong Arm

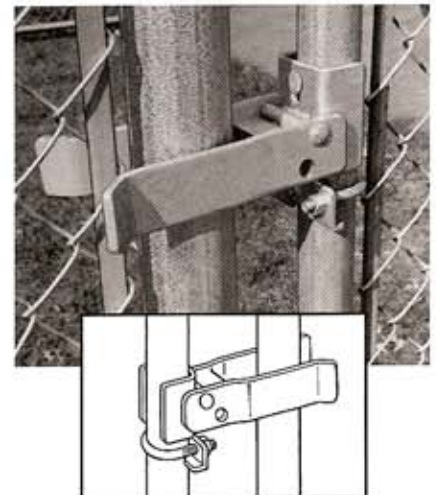
Available for 2 1/2", 3" or 4" Posts

Lockable

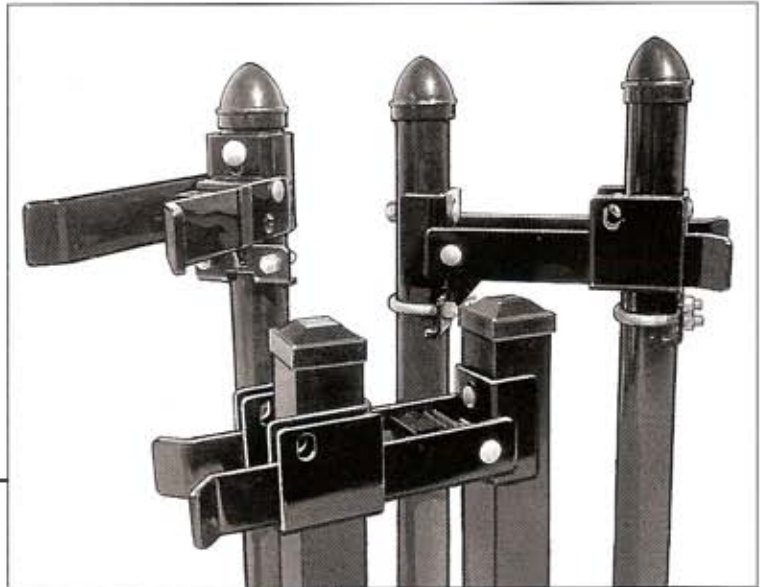
**Galvanized Steel**

Heavy Duty

Description	Part no.	Weight ea.	Price Break	Price ea.
1 5/8" or 2" Frame				
Adjusts for 2" to 5" Gap			1-9	
			10 +	
2 1/2" Gate Post	4250	5.5 lbs.		
Come in Cases of 12				
3" Gate Post	4300	5.5 lbs.		
Come in Cases of 12				
4" Gate Post	4400	5.5 lbs.		
Come in Cases of 10				



## Black Powder Coated Strong Arms

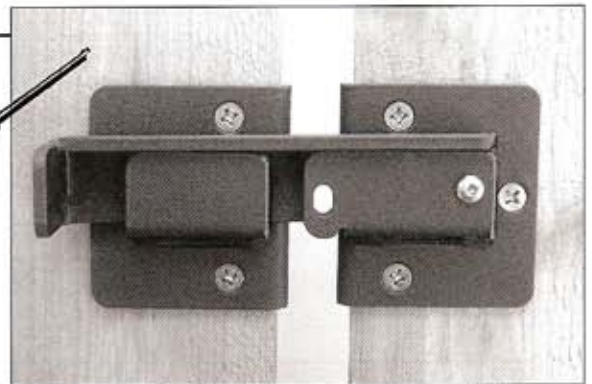


**Black Strong Arm**  
Zinc Plated With Black Powder Coat Finish  
Long Lasting Durability

Description	Part no.	Weight ea.	Price Break	Price ea.
1 3/8" Frame	4138-B	3.5 lbs.		
1 5/8" or 2" Frame	4000-B	9 lbs.	1-5	
2" Square Frame	4090-B	8.5 lbs.	6-11	
<b>Walk Gate Latch</b>				
2 1/2" Gate Post	4250-B	5.5 lbs.		
3" Gate Post	4300-B	5.5 lbs.	1-9	
4" Gate Post	4400-B	5.5 lbs.	10+	

## Sentry Latch

**Sentry Latch**  
Use this Latch on Dumpster Gate Frames  
Access From One Side Only  
Heavy Duty  
Adjusts for 1" to 2 1/2" Gap  
Zinc Plated With Black Powder Coat Finish  
Lockable  
Stainless Steel 5/16" x 3 1/2" Machine  
Screws Included



Description	Part no.	Weight ea.	Price ea.
Sentry Latch	7000	5.5 lbs.	

## Gravity Hinges

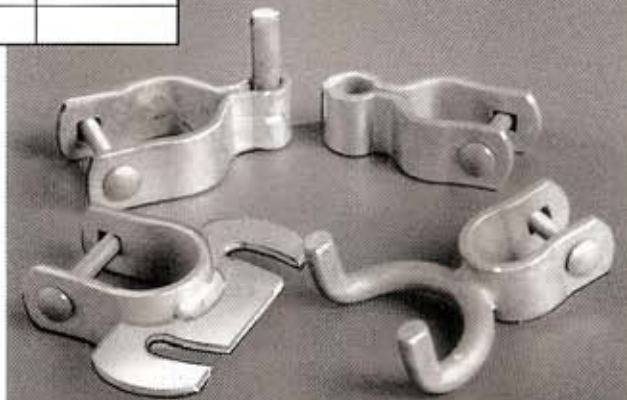
### Residential Self-Closing Hinge Sets 1 3/8" Gate Frame

**Self-closing**  
**Self-rising**  
**Compatible with auto-latch**  
**Will allow gate to swing both ways**

Mix any size for price break.  
 Hinges come in cases of 10.

Description	Part no.	Weight ea.	Price Break	Price ea.
2" Gate Post	1602	3.2 lbs.		
			1-19	
2 1/2" Gate Post	1625	3.3 lbs.	20+	

The gravity type self closing hinge set has no springs to wear out. By raising the bottom hinge set you can increase the force at which the gate will close. The hinges can also be used to compensate for slight grade changes making it possible to install the gate on a hill, yet keep the bottom of the gate close to the ground.

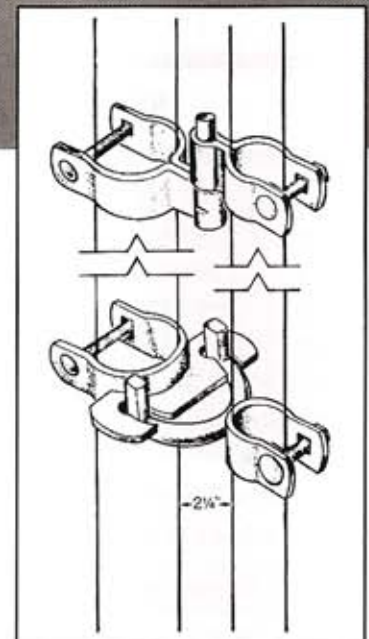


### Commercial Self-Closing Hinge Sets 1 5/8" or 2" Gate Frame

**Self-closing**  
**Self-rising**  
**Compatible with auto-latch**  
**Will allow gate to swing both ways**

Mix any size for price break.  
 Hinges come in cases of 10.

Description	Part no.	Weight ea.	Price Break	Price ea.
1 5/8" x 2 1/2"	1665	3.7 lbs.		
1 5/8" x 3"	1667	3.8 lbs.		
			1-19	
2" x 2 1/2"	1675	3.8 lbs.	20+	
2" x 3"	1677	3.9 lbs.		



## Gravity Hinges – One Way

### One-Way Self-Closing Hinge Sets

Self-closing

Self-rising

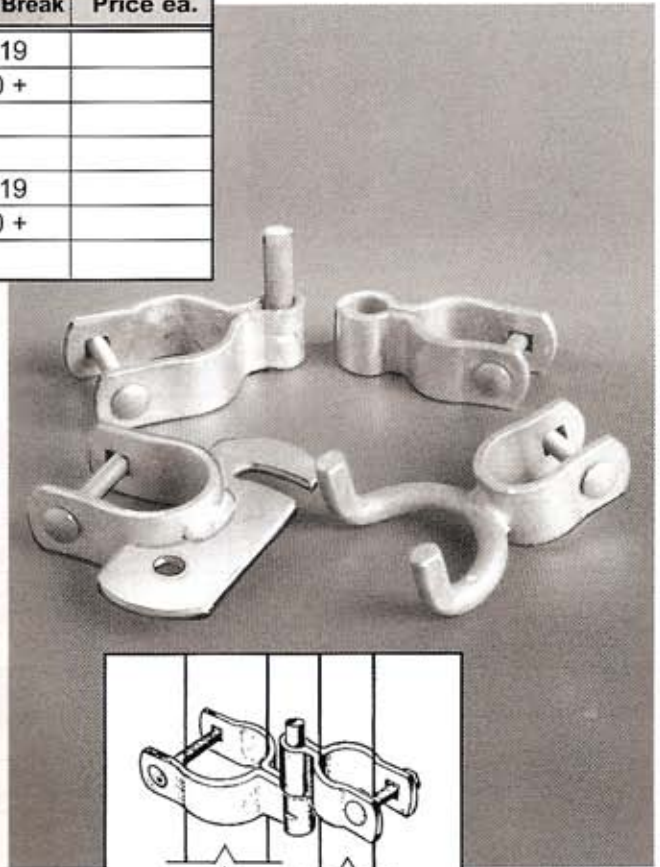
Compatible with auto-latch

Allows gate to swing only one way

Mix any size for price break.  
Hinges come in cases of 10.

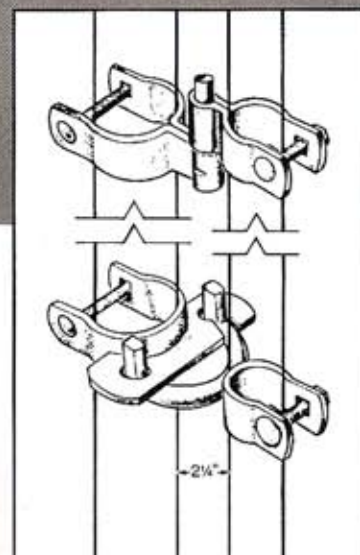
Description	Part no.	Weight ea.	Price Break	Price ea.
1 3/8" x 2"	1602-OW	3.2 lbs.	1-19	
1 3/8" x 2 1/2"	1625-OW	3.3 lbs.	20 +	
1 5/8" x 2 1/2"	1665-OW	3.7 lbs.		
1 5/8" x 3"	1667-OW	3.8 lbs.	1-19	
2" x 2 1/2"	1675-OW	3.8 lbs.	20 +	
2" x 3"	1677-OW	3.9 lbs.		

The gravity type self closing hinge set has no springs to wear out. By raising the bottom hinge set you can increase the force at which the gate will close. The hinges can also be used to compensate for slight grade changes making it possible to install the gate on a hill, yet keep the bottom of the gate close to the ground.



### SIGN

Description	Part no.	Price ea.
6" x 4" Sign – with Diagram	Hinge Sign	



## Stealth Cantilever Roller



**5200**

Deleron

**Roll Gate Track Roller  
with Bracket Assembly**

Wheel Diameter 4"  
Frame Pipe Size 1 5/8" or 2" O.D.  
Fits 1 5/8" O.D. Track

Description	Part no.	Weight ea.		Price ea.
Roll Gate Track Roller	5200	4 lbs.		



**5350**

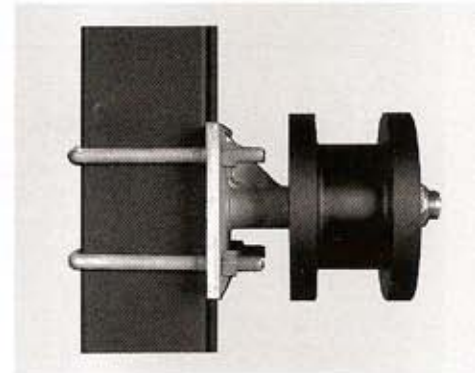
**2,200 Lb. Load Rating**

**Premium Cantilever  
Gate Roller Assembly**

Graphite Impregnated Nylon

2" Square Pipe Roller  
UV Inhibitors

Description	Part no.	Weight ea.	Price Break	Price ea.
2" Sq. Gate Frame - 4" Rnd. Post	5350	11 lbs.		
2" Sq. Gate Frame - 3" Sq. Post	5350-3S	11 lbs.	1-7	
2" Sq. Gate Frame - 4" Sq. Post	5350-4S	11 lbs.	8+	
2" Sq. Gate Frame - 6" Sq. Post	5350-6S	14 lbs.	1-7	
3,500 Lb. Load Rating			8+	



**5500**

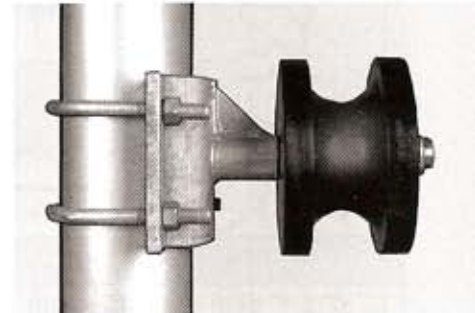
**2,200 Lb. Load Rating**

**Standard Cantilever  
Gate Roller Assembly**

Graphite Impregnated Nylon

UV Inhibitors

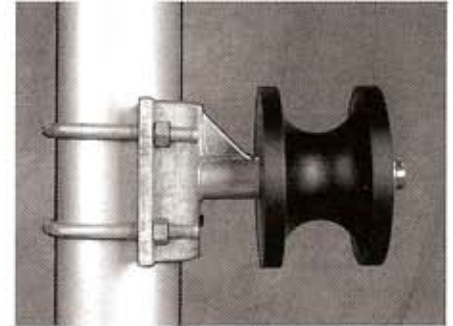
Description	Part no.	Weight ea.	Price Break	Price ea.
1 7/8" Round Gate Frame	5500	11 lbs.	1-7	
4" Round Post			8+	



## Stealth Cantilever Roller



<b>5658</b>		<b>Heavy Duty Double Bearings</b>		
<b>Premium Cantilever Gate Roller Assembly</b>		<b>3,500 Lb. Load Rating</b>		
UV Inhibitors		Graphite Impregnated Nylon		
Description	Part no.	Weight ea.	Price Break	Price ea.
2 1/2" Rnd. Gate Frame - 6 5/8" Rnd. Post	5658	15 lbs.	1-7	
2 1/2" Rnd. Gate Frame - 8 5/8" Rnd. Post	5858	17 lbs.	8+	



<b>5800</b>		<b>2,200 Lb. Load Rating</b>		
<b>Premium Cantilever Gate Roller Assembly</b>		Graphite Impregnated Nylon		
UV Inhibitors				
Description	Part no.	Weight ea.	Price Break	Price ea.
2 1/2" Rnd. Gate Frame - 4" Rnd. Post	5800	11 lbs.	1-7	
2 1/2" Rnd. Gate Frame - 3" Rnd. Post	5800-3	11 lbs.	8+	



<b>5950</b>		<b>Tough Polyethylene Plastic</b>		
<b>Protective Roller Cover</b>		CUSTOM FIT FOR STEALTH ROLLER		
UV Inhibitors				
Description	Part no.	Weight ea.	Price Break	Price ea.
Roller Cover - Top	5950-T	3 lbs.		
Roller Cover - Bottom	5950-B	3 lbs.		



<b>5975</b>		<b>Tough Polyethylene Plastic</b>		
<b>Universal Roller Cover</b>		Bracket clamps behind roller chassis		
UV Inhibitors				
Description	Part no.	Weight ea.	Price Break	Price ea.
Roller Cover - Top	5975-T	3 lbs.		
Roller Cover - Bottom	5975-B	3 lbs.		



## Panic Exit Hardware BAR ONLY

### 6000

#### Surface Mount Exit Bar

Reversible

Release activates at 8 lbs. of touch pressure

Eliminates pinching fingers anywhere on bar

Hex key dogging device

Dead latch

Painted aluminum finish



Description	Part no.	Weight ea.		Price ea.
Surface Mount Exit Bar	6000	10 lbs.		

### 6003 – 36"    6004 – 48"

#### "Detex" Surface Mount Exit Bar

Reversible

Hex key dogging device

Stainless steel latch mechanism

Anodized aluminum bar

Black ABS cover on head and push bar

Weather resistant



Description	Part no.	Weight ea.		Price ea.
Detex 36" Exit Bar	6003	14 lbs.		
Detex 48" Exit Bar	6004	16 lbs.		

### 6006 – 36"    6008 – 48"

#### "Detex" Surface Mount Exit Bar with Alarm

Reversible

Hex key dogging device

Stainless steel latch mechanism

Anodized aluminum bar

Black ABS cover on head and push bar

Weather resistant

Approximately 100db alarm

Powered by a 9 volt battery

Low battery alert



Description	Part no.	Weight ea.		Price ea.
Detex 36" Exit Bar w/Alarm	6006	15 lbs.		
Detex 48" Exit Bar w/Alarm	6008	18 lbs.		

## Panic Exit Hardware ACCESSORIES

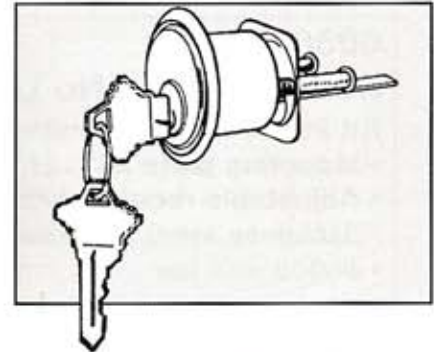
**6010**

**Keyed Alike Cylinder**

Solid cast brass

5-pin Schlage keyway with 2 keys

Description	Part no.	Weight ea.		Price ea.
Keyed Alike Cylinder	6010	1 lb.		



**6011**

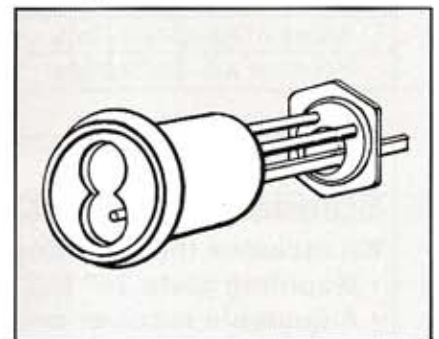
**Interchangeable Core Rim Cylinder**

Use with a "Best" core

Typically used for customers that want to match existing locksets at their facilities

Specify 6 or 7 pin

Description	Part no.	Weight ea.		Price ea.
Outer Core Cylinder	6011	1 lb.		



**6015**

**Gate Latch Protector**

Use on existing gate application where gap is larger than 1"

Use for added security

Description	Part no.	Weight ea.		Price ea.
Gate Latch Protector - Silver	6015-S	5 lbs.		
Gate Latch Protector - Black	6015-B	5 lbs.		



**6020**

**Strike Latch Receiver Bracket\***

Adjustable

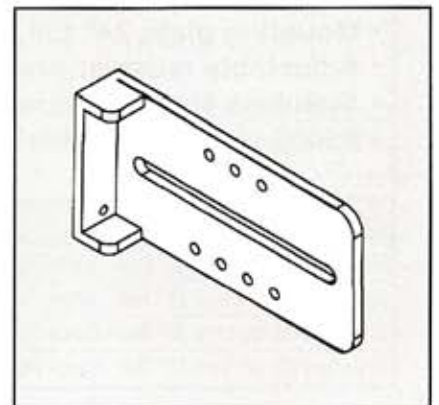
Stainless steel U-bolt, nuts, tek-screws

1/4" steel with powder-coat finish

Available for 3" or 4" Round or Square Post

\*Strike not included

Description	Part no.	Weight ea.		Price ea.
Receiver - Silver	6020-S	2 lbs.		
Receiver - Black	6020-B	2 lbs.		



## Panic Exit Hardware Complete Kit Without Lock Box

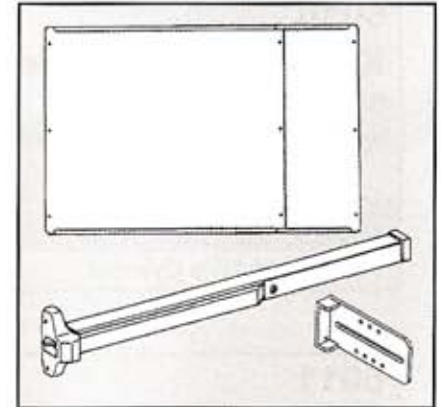
### 6030

#### Standard Kit – No Lock Box

Kit includes the following:

- Mounting plate 24" tall, adjusts for 29" to 54" gate frame
- Adjustable receiver bracket for 3" O.D. post
- Stainless steel tek-screws and fasteners included
- #6000 exit bar

Requires holes to be drilled for exit bar



Description	Part no.	Weight ea.	Price ea.
Standard Kit - Silver Plate	6030-S	38 lbs.	
Standard Kit - Black Plate	6030-B	38 lbs.	

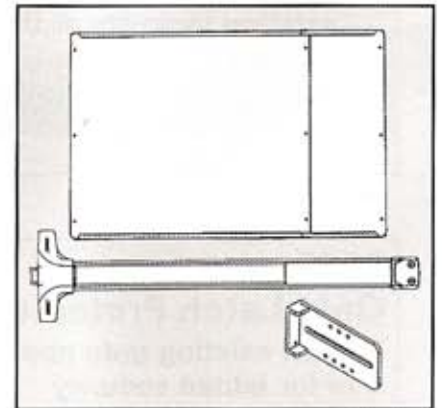
### 6035

#### Standard Kit – No Lock Box – “Detex” Exit Bar

Kit includes the following:

- Mounting plate 24" tall, adjusts for 29" to 54" gate frame
- Adjustable receiver bracket for 3" O.D. post
- Stainless steel tek-screws and fasteners included
- #6003 or #6004 “Detex” exit bar

Requires holes to be drilled for exit bar



Description	Part no.	Weight ea.	Price ea.
Standard Kit w/“Detex” 36" Bar - Silver Plate	6035-S36	44 lbs.	
Standard Kit w/“Detex” 48" Bar - Silver Plate	6035-S48	44 lbs.	
Standard Kit w/“Detex” 36" Bar - Black Plate	6035-B36	44 lbs.	
Standard Kit w/“Detex” 48" Bar - Black Plate	6035-B48	44 lbs.	

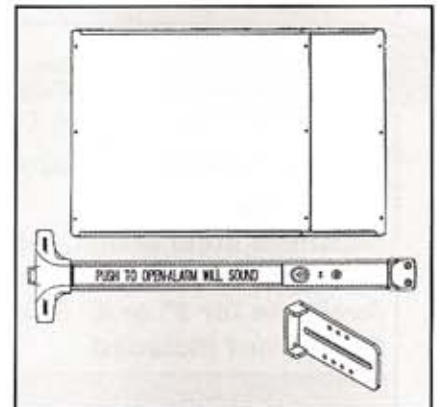
### 6037

#### Standard Kit – No Lockbox – “Detex” Exit Bar with Alarm

Kit includes the following:

- Mounting plate 24" tall, adjusts for 29" to 54" gate frame
- Adjustable receiver bracket for 3" O.D. post
- Stainless steel tek-screws and fasteners included
- #6006 or #6008 “Detex” exit bar with alarm

Requires holes to be drilled for exit bar



Description	Part no.	Weight ea.	Price ea.
Standard Kit w/alarm 36" Bar - Silver Plate	6037-S36	46 lbs.	
Standard Kit w/alarm 48" Bar - Silver Plate	6037-S48	46 lbs.	
Standard Kit w/alarm 36" Bar - Black Plate	6037-B36	46 lbs.	
Standard Kit w/alarm 48" Bar - Black Plate	6037-B48	46 lbs.	

## Panic Exit Hardware Complete Kit With Lock Box

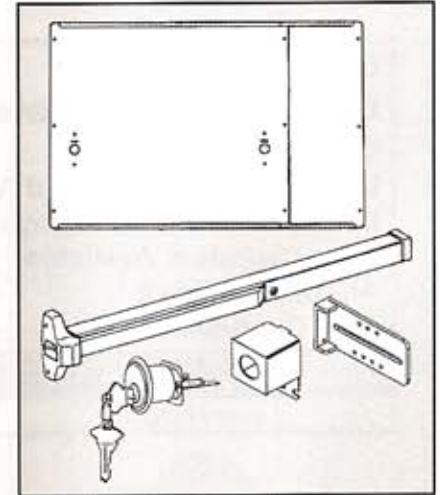
### 6040

#### Deluxe Exit Bar Kit

Kit includes the following:

- Surface mount exit bar #6000
- Mounting plate 24" tall, adjustable from 32" to 54" gate frame
- Lock box
- Keyed cylinder with 2 keys
- Adjustable receiver bracket for 3" O.D. post with strike
- Pre-drilled holes for exit bar
- Stainless steel tek-screws and fasteners

Description	Part no.	Weight ea.	Price ea.
Deluxe Kit - Silver Plate	6040-S	41 lbs.	
Deluxe Kit - Black Plate	6040-B	41 lbs.	



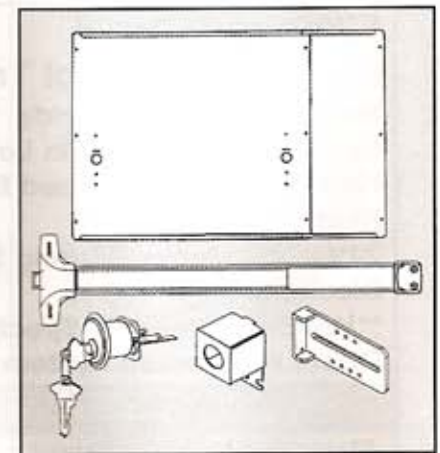
### 6045

#### Superior Exit Bar Kit

Kit includes the following:

- "Detex" surface mounted exit bar #6003 or #6004
- Mounting plate 24" tall, adjustable from 32" to 54" gate frame
- Lock box
- Keyed cylinder with 2 keys
- Adjustable receiver bracket for 3" O.D. post with strike
- Pre-drilled holes for exit bar
- Stainless steel tek-screws and fasteners

Description	Part no.	Weight ea.	Price ea.
Superior Kit - 36" Bar - Silver Plate	6045-S36	44 lbs.	
Superior Kit - 48" Bar - Silver Plate	6045-S48	44 lbs.	
Superior Kit - 36" Bar - Black Plate	6045-B36	44 lbs.	
Superior Kit - 48" Bar - Black Plate	6045-B48	44 lbs.	



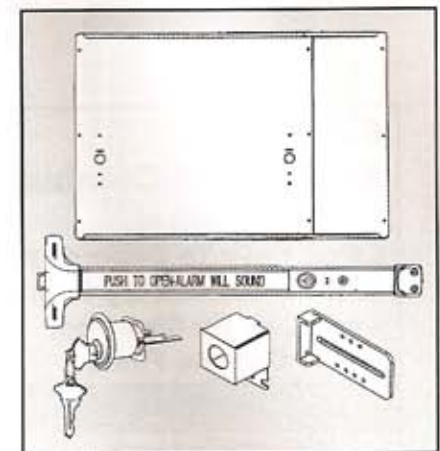
### 6047

#### Superior Exit Bar Kit With Alarm

Kit includes the following:

- "Detex" surface mounted exit bar with alarm #6006 or #6008
- Mounting plate 24" tall, adjustable from 32" to 54" gate frame
- Lock box
- Keyed cylinder with 2 keys
- Adjustable receiver bracket for 3" O.D. post with strike
- Pre-drilled holes for exit bar
- Stainless steel tek-screws and fasteners

Description	Part no.	Weight ea.	Price ea.
Superior w/alarm - 36" Bar - Silver Plate	6047-S36	46 lbs.	
Superior w/alarm - 48" Bar - Silver Plate	6047-S48	46 lbs.	
Superior w/alarm - 36" Bar - Black Plate	6047-B36	46 lbs.	
Superior w/alarm - 48" Bar - Black Plate	6047-B48	46 lbs.	



"Best" core cylinders available at an additional cost.

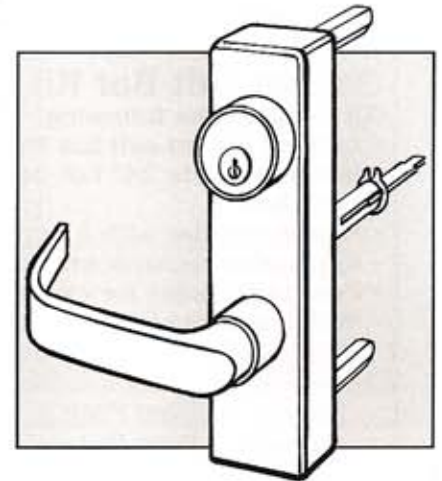
5% Discount on orders of 6 or more kits

## Panic Exit Hardware Outside Trim Options

### 6100

#### Outside trim for Detex Bar

Lever Style Handle  
 Lever Trims Are Handed And Easily Field Reversible  
 Mortise Cylinder w/2 Keys  
 Core Cylinders Available  
 Aluminum Finish  
 ADA Compliant

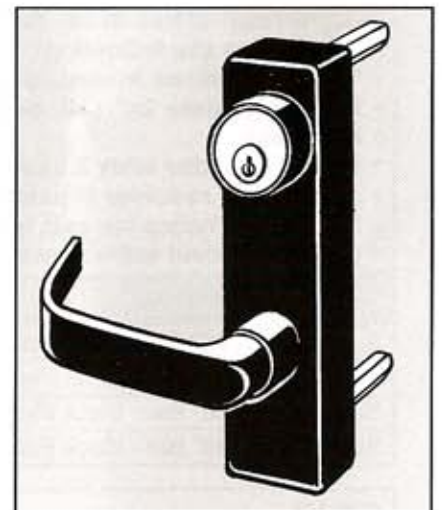


Description	Part no.	Weight ea.	Price ea.
Lever Handle	6100	4 lbs.	

### 6200

#### Electrified Control Trim For Detex Bar

Mechanical Key Override  
 Electric Release Within Lever, Not Electric Strike  
 Handle Can Be Released By Any Access Control System Or Remote Release  
 24VAC Produces Buzzing Sound  
 Black Finish  
 \*\*Handed – Need To Specify  
 Offers Fail Secure System Unlike Electromagnet Locks

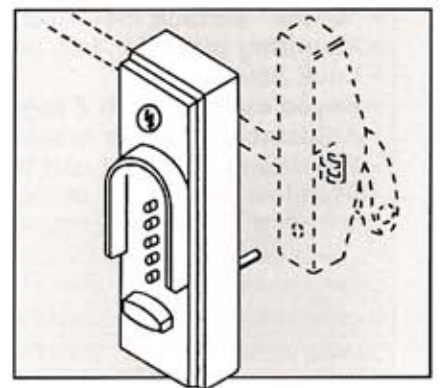


Description	Part no.	Weight ea.	Price ea.
Electrified Lever - Left Hand	6200LH	4.5 lbs.	
Electrified Lever - Right Hand	6200RH	4.5 lbs.	

### 6300

#### Mechanical Combination Lock For Detex Bar

Fully Mechanical  
 Large Easy To Depress push button  
 Exterior Access By Combination  
 Code Can Be Changed  
 Brush Chrome Finish



Description	Part no.	Weight ea.	Price ea.
Mechanical Lock	6300	5 lbs.	

## Gate Hinges

### 8000

#### Single Bearing Hinge

Ideal For Smaller Vehicular And Pedestrian Gates  
 Unique Bushing System For Frictionless Movement  
 Adjustable For Easy Onsite Installation  
 Weight Capacity 500 lbs.



Description	Part no.	Weight ea.	Price ea.
Single Bearing Hinge	8000	1 lb.	

### 8010

#### Standard Hinge

Weight Capacity 2000 lbs.  
 Dual Sealed, Maintenance Free Bearings  
 Designed For Use On Both Round and Square Post Applications  
 Slotted Yoke With .5" Of Adjustment  
 Steel With Zinc Plating or Aluminum



Description	Part no.	Weight ea.	Price ea.
Hinge - Steel	8010-S	2.5 lbs.	
Hinge - Aluminum	8010-A	2.5 lbs.	
Hinge Steel/Bolt On Style	8010-BO	2.5 lbs.	

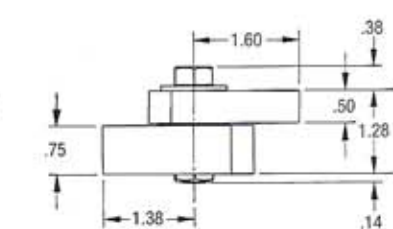
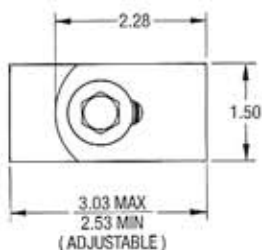
### 8020

#### Heavy Duty Hinge

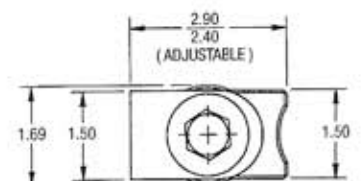
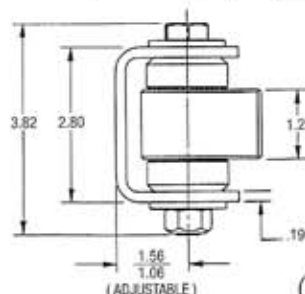
Weight Capacity 3,000 lbs.  
 Three Sealed, Maintenance Free Bearings  
 Steel With Zinc Plating



Description	Part no.	Weight ea.	Price ea.
Heavy Duty Hinge	8020	3.5 lbs.	



(#8000)



(#8010)

DON'T

**PANIC!**



# PANIC DOOR HARDWARE



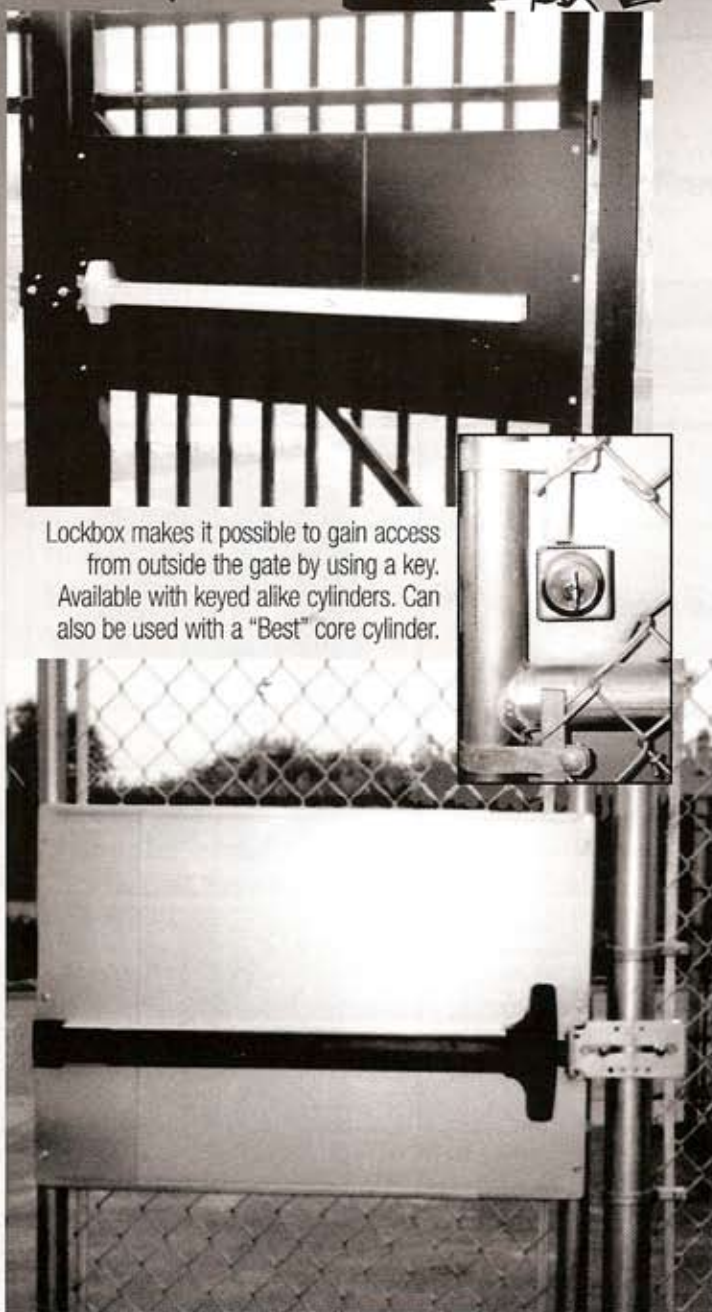
EXIT BAR



"DETEX" EXIT BAR



"DETEX" EXIT BAR  
with ALARM (9 volt battery)



Lockbox makes it possible to gain access from outside the gate by using a key. Available with keyed alike cylinders. Can also be used with a "Best" core cylinder.

- Eliminate day long fabrication of exit door systems.
- Adjustable mounting plate for surface mounted exit bars.
- 24" tall adjustable for 32" to 54" wide gate frame.
- Available with or without lockbox.
- Adjustable receiving latch.
- All screws and hardware included.

DAC Industries offers what you need for exit bar installations that will satisfy you and your customer. We have the "Detex" line available along with other devices for the best in exit bar hardware. The mounting plate is made with 16 gauge electro-galvanized steel with a powder coat finish. It adjusts to fit different gate sizes. The mounting plate with lockbox is available in silver or black finish. The adjustable receiving latch makes installation easy. All fasteners are stainless steel. Exit bars also sold separately.



▲ GUARD sold separately.

Use this guard for a more finished look, or for additional security. Can be used on existing gate applications where there is a 2" or greater gap.

**DAC**  
INDUSTRIES, INC.

615 Eleventh St. N.W.  
Grand Rapids, MI 49504

PHONE: 1-800-888-9768  
FAX: 616-235-2901  
WEB: [www.dacindustries.com](http://www.dacindustries.com)